

KIT

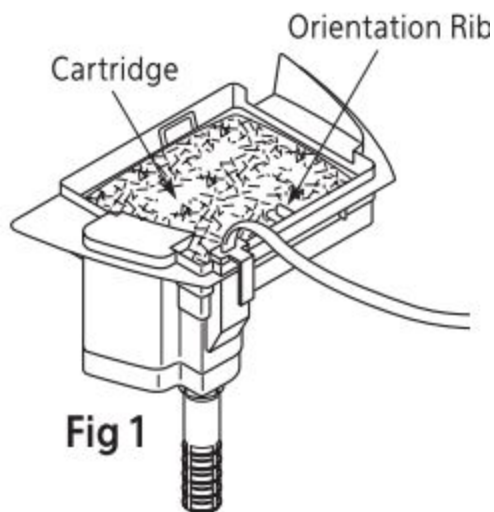
GOLD FISH KIT

INTRODUCTION

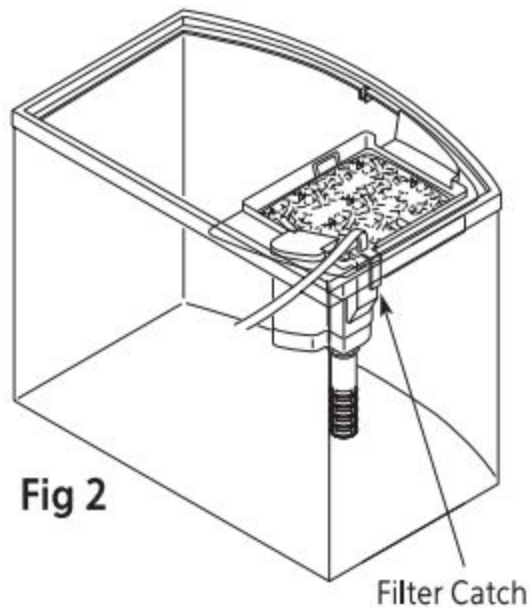
One of the most common fish in the aquarium hobby, goldfish belong to the Family Cyprinidae and are native to eastern Asia. They are related to – but not the same as – carp, and were first domesticated from food fish in China over 1,000 years ago. Goldfish can be distinguished from koi and common carp by the absence of barbels or “whiskers” in the corners of their mouth. Through selective breeding, many “fancy” goldfish strains sporting different body shapes, colors and fin types are available today. They include comets, shubunkins, fantails, orandas, ryukins, moors, telescope eyes, celestial eyes, bubble eyes, butterfly tails, pearlscales, wakins, lionheads, ranchus and many more. Orandas, lionheads and ranchus develop a crown of fatty tissue, called hood growth, over their heads that in mature fish may completely cover their eyes! Fancy goldfish can become stunningly beautiful and command extremely high prices. All varieties of goldfish are the same species – *Carrassius auratus*. When properly cared for, goldfish can live over 20 years in captivity.

SETUP

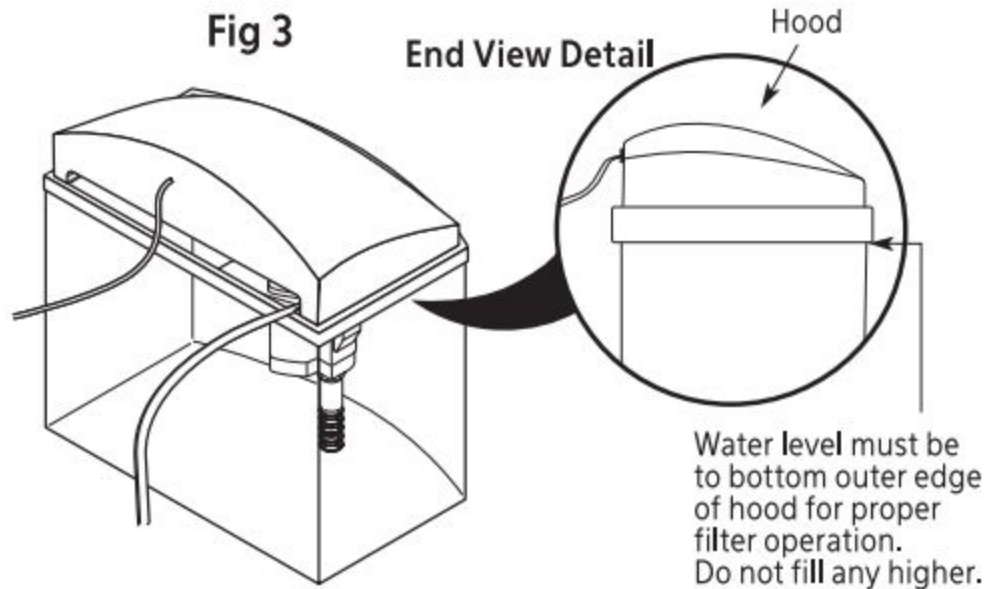
1. Open the Aquarium box and take out all of the materials. Check to see if all materials arrived in working order. Check for cracks in your aquarium.
2. Rinse the aquarium out with water - do not use any soaps or cleansers. You may use diluted rubbing alcohol to clean the inside but be sure to rinse several times after you have used the alcohol mixture.
3. Rinse off the stones that come with your kit. Again, no soaps or cleaners needed. Place the stones in the bottom of the clear aquarium. Install any decor or plants at this time.
4. Open the filter and cartridges from the bag. Rinse the cartridge under cold water to remove carbon dust.
5. Install the cartridge into the filter using the orientation rib to position correctly. See below.



6. Install the filter into the tank. The filter catch must mount as shown in figure 2.



7. OPTIONAL: Install the submersible heater. Using the suction cup on the back of the heater attach it to the inside back wall of the aquarium. It is recommended that your range be above 18°C (64°F) and 25°C (77°F).
8. Add water to your aquarium. While we recommend using reverse osmosis water that might not be possible. Read the directions on the back of the included water conditioner. And prepare one gallon of water for your aquarium. Use an old water jug or animal safe container to prepare your water. You will not need the entire gallon so keep the remaining water for your daily water changes. We recommend having this water available daily (see upkeep section below.)
9. Plug in the power cord to the filter. Filter will begin to draw water from the tank, pump water into the filter through the cartridge and return it to the tank.
10. Wait 15 minutes after filling the tank then plugin your heater, put the lid on your aquarium and let the aquarium sit for a day or so.
11. Install the light on the tank. Be sure to check the water level of the tank at all time so that the water is at the bottom outer edge of the hood.



12. Add your gold fish. Place the container that your fish came in on top of the aquarium and let it float for 10+ minutes. This will get your fish acclimated to the temperature of the aquarium water. After 10+ minutes you can slowly start to allow some aquarium water into the fish container. Repeat this a few times before finally releasing your fish into his new aquarium.
13. Give your fish an hour or so to get to know his new environment before you feed him for the day.

FEEDING

Goldfish are omnivores, feeding largely on crustaceans, insects and plant matter in the wild. A combination of Goldfish Flakes, Goldfish Granules and Goldfish Color Granules will provide a high quality diet. Frozen and live foods, including hornwort plant, can also be given as treats. Goldfish are naturally bottom feeders and may gulp air when feeding at the surface, causing them to lose equilibrium and float upside down. To avoid this, soak flake foods briefly before feeding and avoid the use of floating pellets. For best results, rotate your fishes' food daily and feed only what they can consume in 2 to 3 minutes, once or twice a day.

TEACHER NOTES

If you plan to add your goldfish to an established aquarium keep in mind that good animal husbandry is essential – ensure low population densities, plenty of hiding places, low bacteria levels and good water quality. In small tanks they will require frequent water changes and good water maintenance—we recommend a suitable water conditioner for your goldfish. Always take care that they are not restricted in their movements and are able to turn and swim freely. In a shared aquarium, a little extra care may be needed at feeding time to ensure they get their share, and to ensure that other fish do not nip at their elaborate finnage.

While you can add additional decorations to your Aquarium keep in mind that it is a small habitat already. Do not overcrowd your aquarium.

Be sure to have everyone wash their hands after they've worked with any animal. Fish and aquatic animals can transmit zoonotic disease to humans. Wash your hands with soap and water before and after interacting with your aquarium. Children, pregnant women, elderly people and people with immune-system problems should take extra care.

Never release any animal into the wild. Contact You Pet'Cha if you need to get rid of your animal and we will help you find a local resource. You can also consider donating your animal to a local family or another teacher. Pass on these directions or contact us for a new set.

UPKEEP

Water Changes: You should consider doing a half water change every other month. To do this use your water change cup to take out 2 to 3 cup fulls of water from your aquarium and replace them with new conditioned water. You should be able to keep your fish in the tank during this process, however if your fish looks uncomfortable use a new, clean cup to remove your fish while you do the water change. It's a good idea to re-acclimate him to the tank just as you did above.

KIT CONTENTS

- Aquarium (1.6 gallon aquarium with LED lights)
- Water Conditioner (to make your tap water clean)
- Food Pellets
- Gravel
- 1 Gold Fish
- Instructions & Lesson Plans

LINKS

- In Tank Thermometer: <http://youpet-cha.com/product/fish/heating/marina-lcd-aquarium-thermometer-centigrade-fahrenheit-18-to-30-c-64-to-86-f/>
- Water Change Video: https://www.youtube.com/watch?v=wL_gvKZCUAo